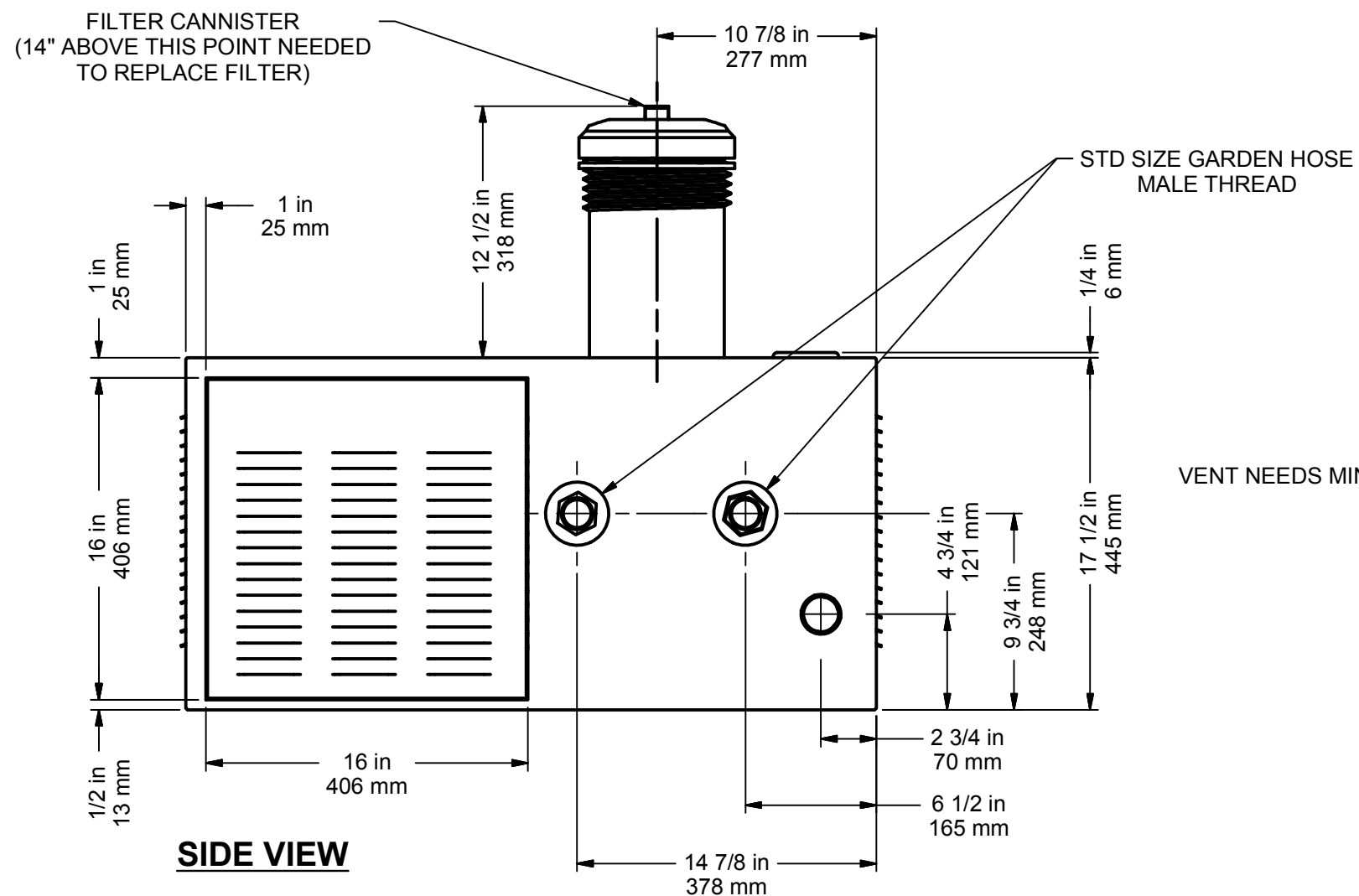


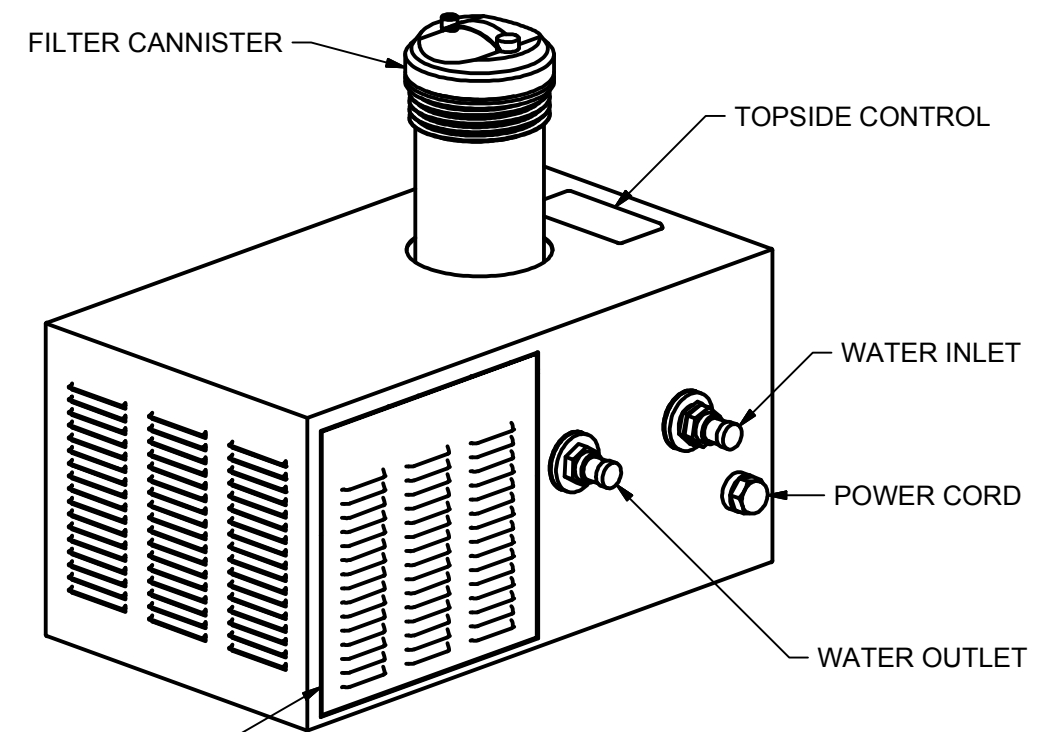
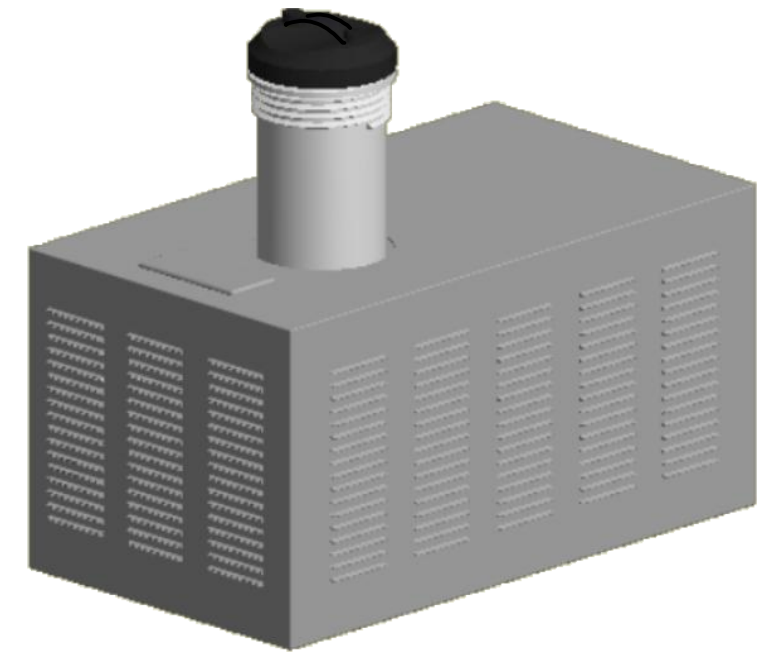
**TOP VIEW**



**SIDE VIEW**

**SPECS:**

- \* 110v / 15amp GFCI protected
- \* Completely portable
- \* Fits through standard doorway
- \* No plumbing required (fills and drains with a standard water hose)
- \* 2 in 1 Cold/Hot (42 - 104 degrees)
- \* 1.5kw titanium heater
- \* Chilling system
- \* Safety certified to meet UL, CSA and European Standards



DRAWN	JLT	4/15/2016	<b>COLDTUB™</b> <b>WINNING IS COOL</b>		
CHECKED					
QA					
MFG					
APPROVED			TITLE		
			ICEKUBE		
			SIZE	DWG NO	REV
			A3	05/06/2016_000	0
			SCALE	SHEET 1 OF 1	