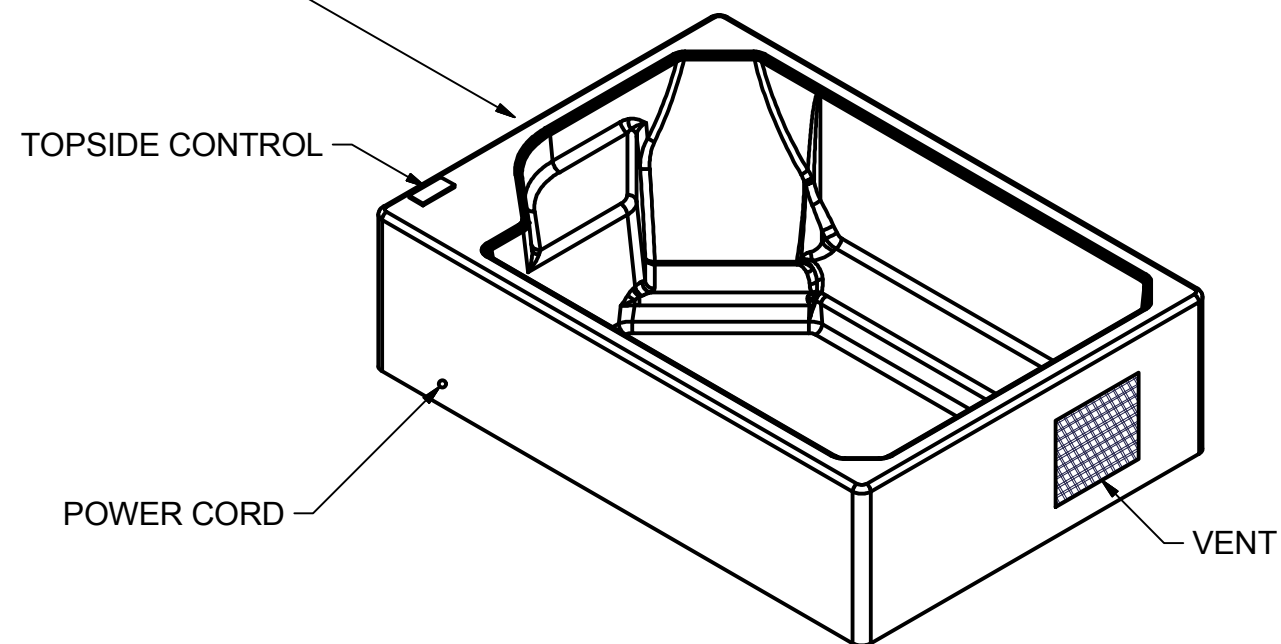


EQUIPMENT ACCESS



SPECS

- * 76.5 x 76.5 X 30 dimensions
- * Digital ORP water safety monitor
- * Programmable Filtration System
- * 110v GFCI protected
- * Completely portable
- * Fits through standard doorway
- * No plumbing required
- * Microban™ acrylic
- * Onzen water treatment
- * 2 in 1 Cold/Salt
- * Solid State Cooling technology
- * Patented Chilling System
- * Set temperature as low as 42 degrees
- * Removable panel for easy access
- * Customize with your logo!



DRAWN JLT	5/20/2016	COLDTUB™ WINNING IS COOL		
CHECKED				
QA				
MFG				
APPROVED		TITLE POLAR PLUNGE		
		SIZE A3	DWG NO 05202016_00	REV 00
		SCALE	SHEET 1 OF 1	